



Bathtub - CL.1

WATER FALL Cascade spout with PEARLSTREAM for wall-mounted installation - Cyprum

Article number: 13 425 979-49

- 7/8" Projection
- Pearlstream
- Plate 9-1/2" x 2-3/8"
- Connection 1/2", can be cut to length
- Plug-in connection mounting
- Water flow rate limited to max. 2.5 gpm
- Fittings group in compliance with DIN 4109: 2

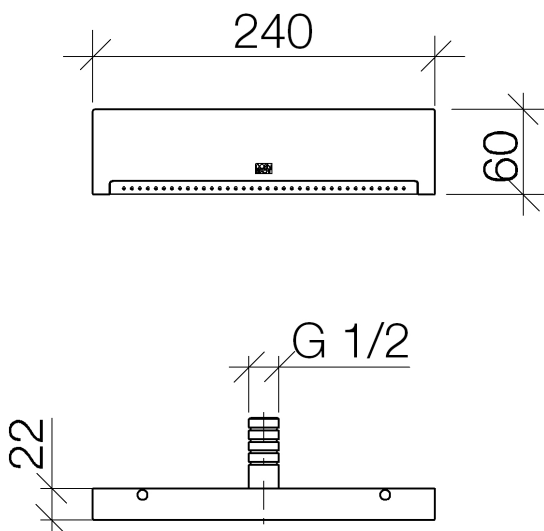


Cyprum

Accessory is required for this item.

Discontinued items available to order until 30.06.2020

Dimensional drawing





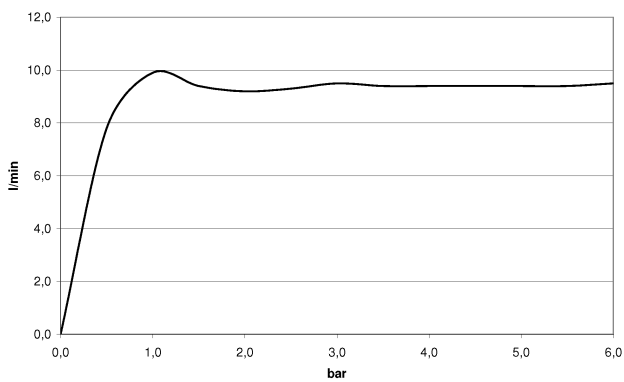
Bathtub - CL.1

WATER FALL Cascade spout with PEARLSTREAM for wall-mounted installation - Cyprum

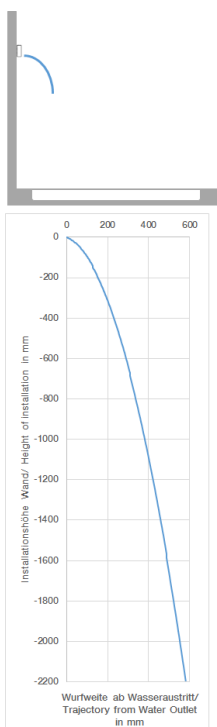
Article number: 13 425 979-49

All dimensions in mm / inch = mm x 0,0394

Flow rate chart



Trajectory length diagram





Bathtub - CL.1

WATER FALL Cascade spout with PEARLSTREAM for wall-mounted installation - Cyprum

Article number: 13 425 979-49

Other surface finishes



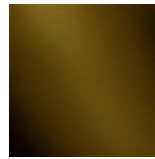
polished chrome
13 425 979-00



platinum matte
13 425 979-06



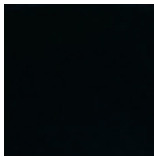
platinum
13 425 979-08



Dark Brass matte
13 425 979-16



Dark Bronze matte
13 425 979-17



black matte
13 425 979-33



Dark Platinum matte
13 425 979-99

More custom finish options are available via special production (xTra Service). Please see our finish matrix for availability and pricing or contact a Dornbracht representative.

Required article



35 080 970-90 0010
Rough-in adapter -

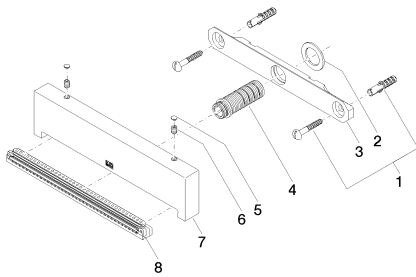


Bathtub - CL.1

WATER FALL Cascade spout with PEARLSTREAM for wall-mounted installation - Cyprum

Article number: 13 425 979-49

Spare parts list



Number	Item Number	Designation	Number of units
--------	-------------	-------------	-----------------